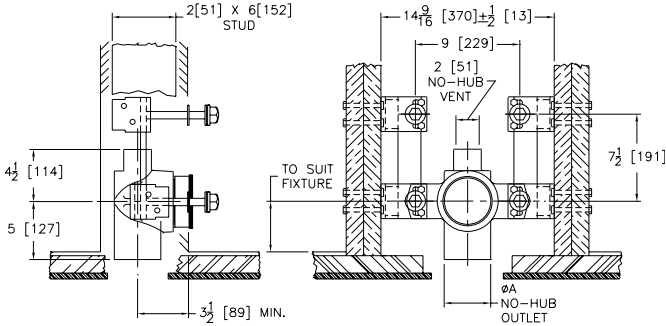


**Z1280 WOOD STUD SUPPORTED WATER CLOSET CARRIER – NO-HUB**



**ENGINEERING SPECIFICATION**

Zurn Z1280-N( ) residential water closet support system comes complete with Dura-Coated cast iron 3" or 4" no-hub fitting (specify size) with 2" vent, support brackets, corrosion-resistant ABS coupling, fixture bolts and trim, and bonded Neo Seal gasket.



Product Number	A Pipe Size Inches [mm]	Approximate Weight lb [kg]
Z1280-N3-2	3 [76]	30 [14]
Z1280-N4-2	4 [102]	40 [18]

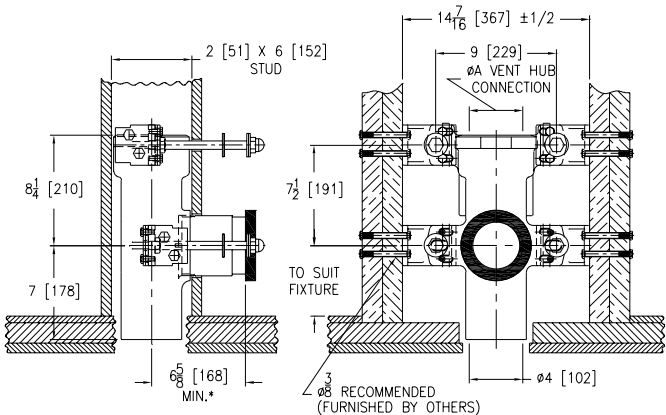
FITTING TYPE		
<b>-N3-2</b>	3" No-Hub Fitting with 2" Vent	<b>785.00</b>
<b>-N4-2</b>	4" No-Hub Fitting with 2" Vent	<b>1,080.00</b>
SUFFIXES		ADD
<b>-X4</b>	4" Foot Extension (For -Y Only)	<b>115.00</b>
<b>-Y</b>	Foot Support System	<b>359.00</b>
BEST SELLERS		LIST PRICE
Z1280-N3-2		<b>785.00</b>
Z1280-N4-2		<b>1,080.00</b>
<b>SEE LEGACY ADDENDUM ON PAGE 369 FOR MORE INFORMATION</b>		

**Z1282 WOOD STUD SUPPORTED WATER CLOSET CARRIER – HUB AND SPIGOT**



**ENGINEERING SPECIFICATION**

Zurn Z1282-H( ) residential water closet support system comes complete with Dura-Coated cast iron 4" spigot outlet fitting with 2" or 4" hub vent connection, support brackets, corrosion-resistant ABS coupling, fixture bolts and trim, and bonded Neo Seal gasket.



Product Number	Outlet inch [mm]	Approximate Weight lb [kg]
Z1282-H4	4 [102]	42 [19]
Z1282-HD4	4 [102]	54 [24]

PREFIXES	DESCRIPTION	SINGLE	DOUBLE
<b>Z1282*</b>	Dura-Coated Bracket and Fitting System	<b>Combine with Fitting Type for Pricing</b>	
FITTING TYPE			
<b>-H4</b>	4" Spigot Outlet Fitting with 4" Hub Vent Connection	<b>1,119.00</b>	<b>-</b>
<b>-HD4</b>	4" Double Spigot Outlet Fitting with 4" Hub Vent Connection	<b>-</b>	<b>3,536.00</b>
SUFFIXES		ADD	
<b>-X4</b>	4" Foot Extension (For -Y Only)	<b>115.00</b>	
<b>-Y</b>	Foot Support System	<b>359.00</b>	
<b>SEE LEGACY ADDENDUM ON PAGE 369 FOR MORE INFORMATION</b>			

Items designated as Best Sellers are most specified and are generally in stock for shipment.  
 ⌚ This symbol denotes a product that is engineered to reduce installation and rework time.  
 For Additional System Tools See "Z1200 Carrier Tools and Accessories" on page 214

\*Regularly furnished unless otherwise specified.  
 For additional product information, please visit [www.zurn.com](http://www.zurn.com)

INTRO  
 ROOF DRAINS  
 FLOOR DRAINS  
 T, P, BW VALVES  
 INTERCEPTORS  
 CARRIERS  
 HYDRANTS  
 CLEANOUTS  
 W/HA  
 SS DRAINS  
 FAB SS DRAINS  
 SAN-FLOOR  
 TECH INFO